

DOOR HARDWARE

ALL HARDWARE SHALL MATCH STOREFRONT, VERIFY WITH ARCHITECT AND/OR CHIPOTLE CONSTRUCTION MANAGER PRIOR TO ORDERING.

02

MAIN ENTRY - PAIR (ADJUST FOR SINGLE AS REQUIRED)

- DOOR: TYPE 1: PAIR 3'-0" X 7'-0" X 1-3/4" EXTERIOR ALUMINUM WIDE STILE & RAIL DOORS WITH CLEAR, INSULATED, TEMPERED SAFETY GLAZING (EXISTING).
- FRAME: EXISTING
- HARDWARE:
- (2) CONTINUOUS HINGE HAGER, MODEL 780-224HD-84" (SIZE 7'-0")
 - (1) MORTISE CYLINDER SCHLAGE, MODEL 80-103, BRUSHED CHROME; C.O. CYLINDER AT 34" MIN. FROM BOTTOM OF DOOR
 - (1) TEMP CORE SCHLAGE, MODEL 80-035 INTERCHANGEABLE CORE, (BRUSHED CHROME)
 - (2) CUSTOM WOOD PULLS 1 1/2" DIAMETER, VARIES HIGH - PROVIDED BY MILLWORK SUPPLIER. MOUNT TOP OF PULLS FLUSH WITH TOP OF GLAZING STOP IN DOOR, RE: SHOP DRAWINGS
 - (2) CUSTOM WOOD PUSH 1 1/2" DIAMETER, VARIES HIGH - PROVIDED BY MILLWORK SUPPLIER. MOUNT TOP OF PULLS FLUSH WITH TOP OF GLAZING STOP IN DOOR, RE: SHOP DRAWINGS.
 - (1) DEADBOLT ADAMS RITE, MODEL MS1850S-310-628
 - (1) EXIT INDICATOR ADAMS RITE, MODEL 4089-00-130
 - (1) HEADER BOLT ADAMS RITE, MODEL 4016
 - (1) THRESHOLD BOLT ADAMS RITE, MODEL 4015
 - (2) DOOR CLOSER JACKSON, MODEL 20-330, ANSI GRADE 1 CLOSER, 105NHO (BLACK)
 - (2) DOOR STOP IVES, MODEL FS446 (ALUMINUM)
 - (2) OVERHEAD STOP GLYNN-JOHNSON, MODEL GL450 (4545 630) (ALUMINUM)
 - (2) CLOSER BACK PLATE DORMA, MODEL BP89, ALUMINUM
 - (1) THRESHOLD REESE, MODEL S424A-72 (SIZE 72") USE NON-SHRINK STRUCTURAL GROUT BED UNDER THRESHOLD
 - (2) SMOKE SEAL REESE, MODEL F-7978-21
 - (2) DOOR SWEEP PEMKO, MODEL SF5C-200-36 (36" DOOR) (BLACK), OWNER FURNISHED

NOTE: CONTRACTOR TO RETROFIT LOCKS TO BE KEYPED THE SAME AS DOORS 1 & 3

NOTE: BLACK DOOR SWEEP TO BE USED WITH CHARCOAL STOREFRONT. LIGHT GRAY DOOR SWEEP TO BE USED WITH CLEAR ANODIZED ALUMINUM STOREFRONT

NOTE: CONTRACTOR TO RETROFIT LOCKS TO BE KEYPED THE SAME AS DOORS 2 & 3

NOTE: EXIT INDICATOR ARRIVES WITH SIGNS STATING "THIS DOOR TO REMAIN UNLOCKED DURING BUSINESS HOURS" AND "THIS DOOR TO REMAIN UNLOCKED WHEN THE BUILDING IS OCCUPIED". VERIFY REQUIRED SIGN WORDING WITH LOCAL JURISDICTION PRIOR TO INSTALLATION. ONE SIGN IS TO BE PLACED IN A VISIBLE LOCATION ABOVE THE DOORS.

NOTE: THERE IS TO BE NO EXTERIOR HOLE OR CYLINDER

NOTE: BLACK DOOR SWEEP TO BE USED WITH CHARCOAL STOREFRONT. LIGHT GRAY DOOR SWEEP TO BE USED WITH CLEAR ANODIZED ALUMINUM STOREFRONT

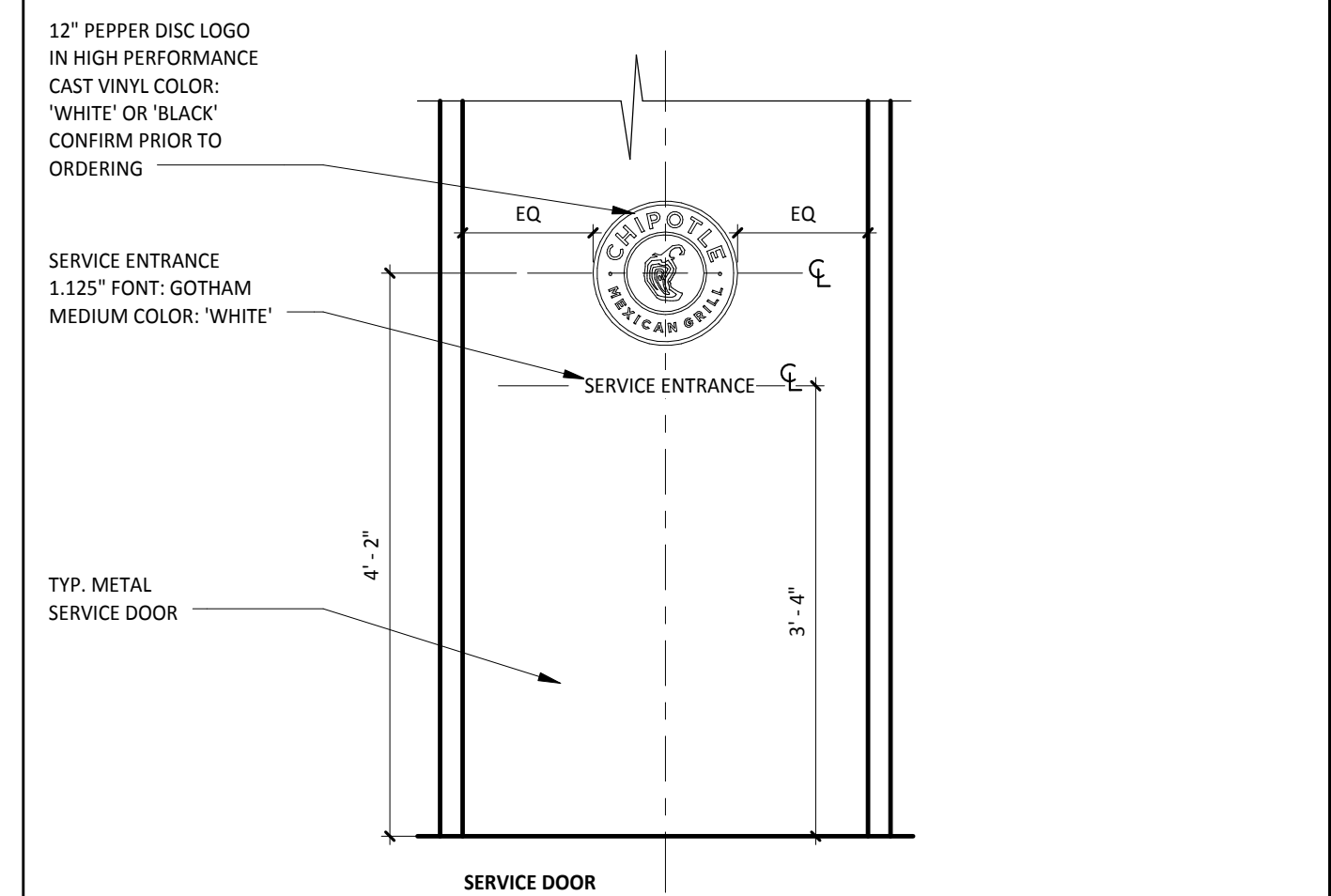
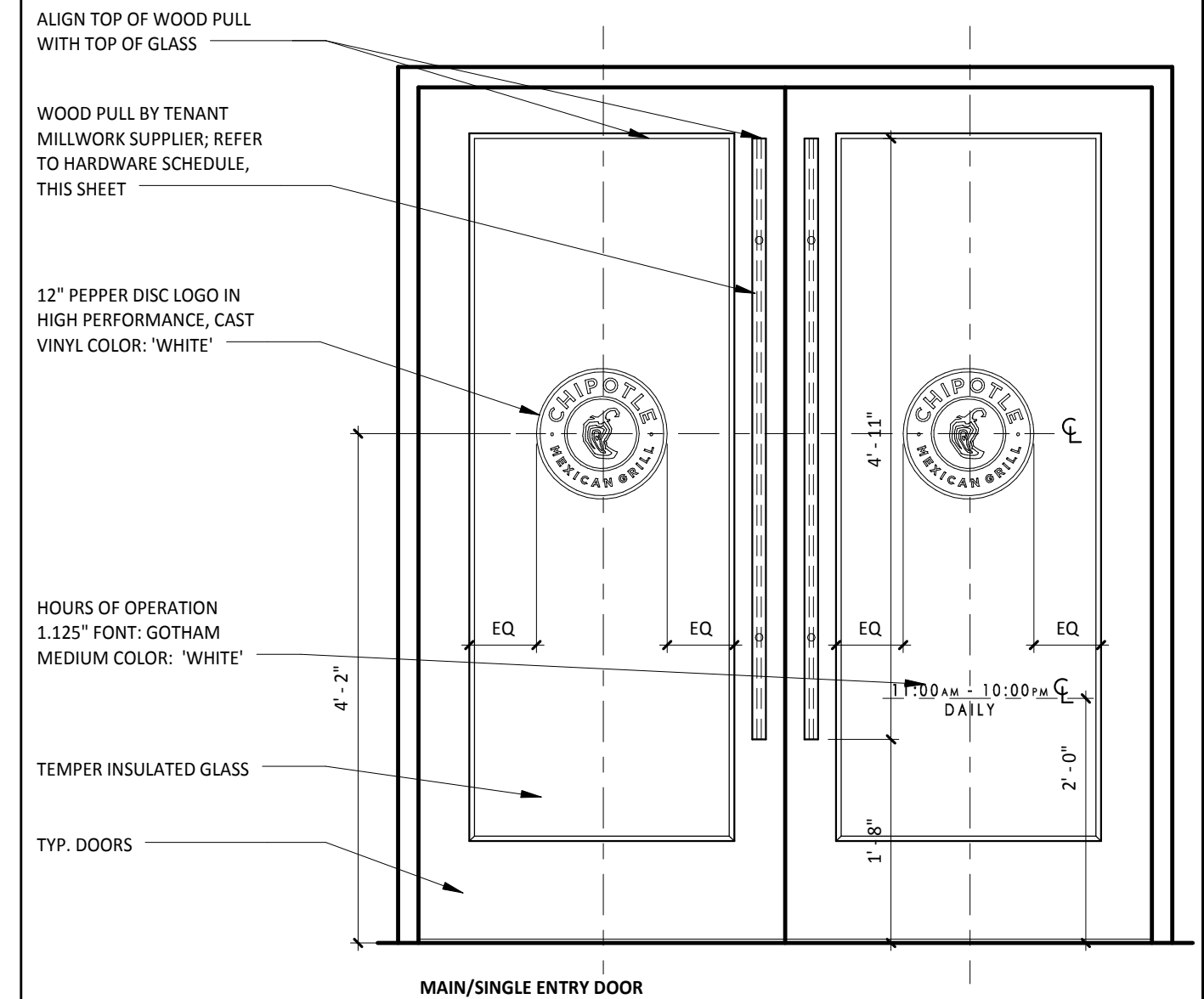
04

KITCHEN (REAR EXIT) - SINGLE LEAF

- DOOR: TYPE 3: 3'-6" X 7'-0" X 1-3/4" INSULATED HOLLOW METAL DOOR (EXISTING)
- FRAME: TYPE 1: HOLLOW METAL (WELDED) (EXISTING)
- HARDWARE:
- (1) HINGE HAGER, MODEL 780-224HD (SIZE 7'-0")
 - (1) EXIT DEVICE MONARCH, MODEL XX-R-L-DANE-42 32D (SIZE 42")
 - (1) RIM CYLINDER GLS, MODEL RCIC-7-LZ-626
 - (1) TEMP CORE SCHLAGE, MODEL 80-035 INTERCHANGEABLE CORE (FINISH: BRUSHED CHROME)
 - (1) DOOR CLOSER DORMA, MODEL 8916-AF89P (TOP JAMB), ALUMINUM
 - (1) CLOSER BACK PLATE DORMA, MODEL BP89, ALUMINUM
 - (1) THRESHOLD PEMKO, MODEL D750A-42 (SIZE 42")
 - (1) WEATHERSTRIP REESE, MODEL D575C-204, (SIZE 21")
 - (1) DOOR SWEEP PEMKO, MODEL SF5C-200-42 (42" DOOR) (BLACK) OWNER FURNISHED
 - (1) DOOR VIEWER IVES, MODEL U698-26D, C.O. VIEWER AT 60" FROM BOTTOM OF DOOR
 - (1) EXIT ALARM TRINE, MODEL 206-3
 - (1) DOOR SILENCERS IVES, MODEL SR64
 - (1) DOOR BUZZER TRINE, MODEL 233
 - (1) LEVER MONARCH, MODEL DANE, ALUMINUM (EXTERIOR SIDE)
 - (1) KICKPLATE HIWATHA, MODEL KP834-US32D

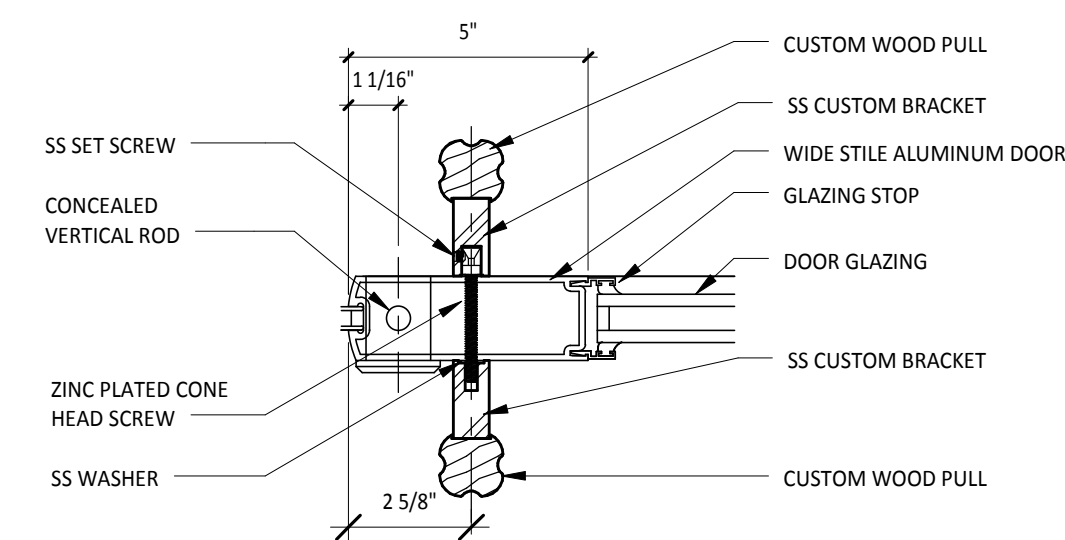
NOTE: CONTRACTOR TO RETROFIT LOCKS TO BE KEYPED THE SAME AS DOORS 1 & 2

TYPICAL EXTERIOR DOOR TYPES

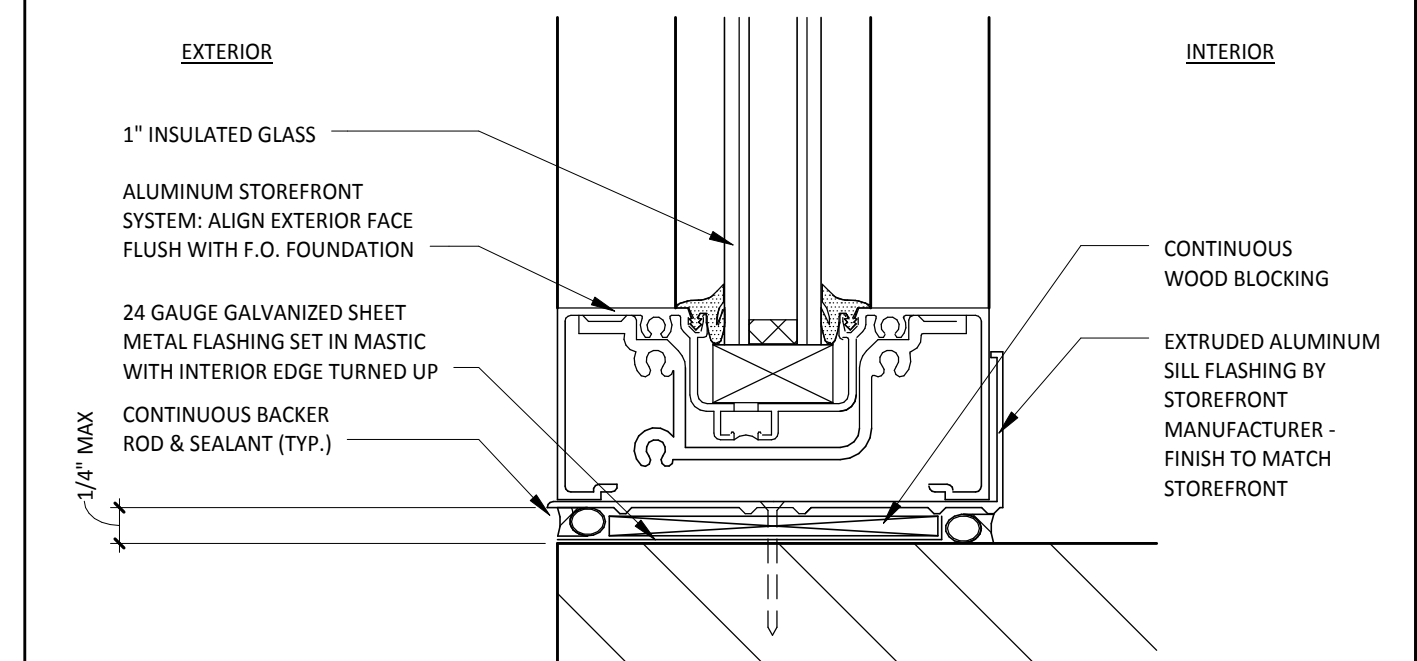


NOTE: VERIFY DOOR STOP TO BE USED FOR EACH DOOR. ALTERNATE FLOOR MOUNTED DOOR STOP IVES FS436 IS AVAILABLE

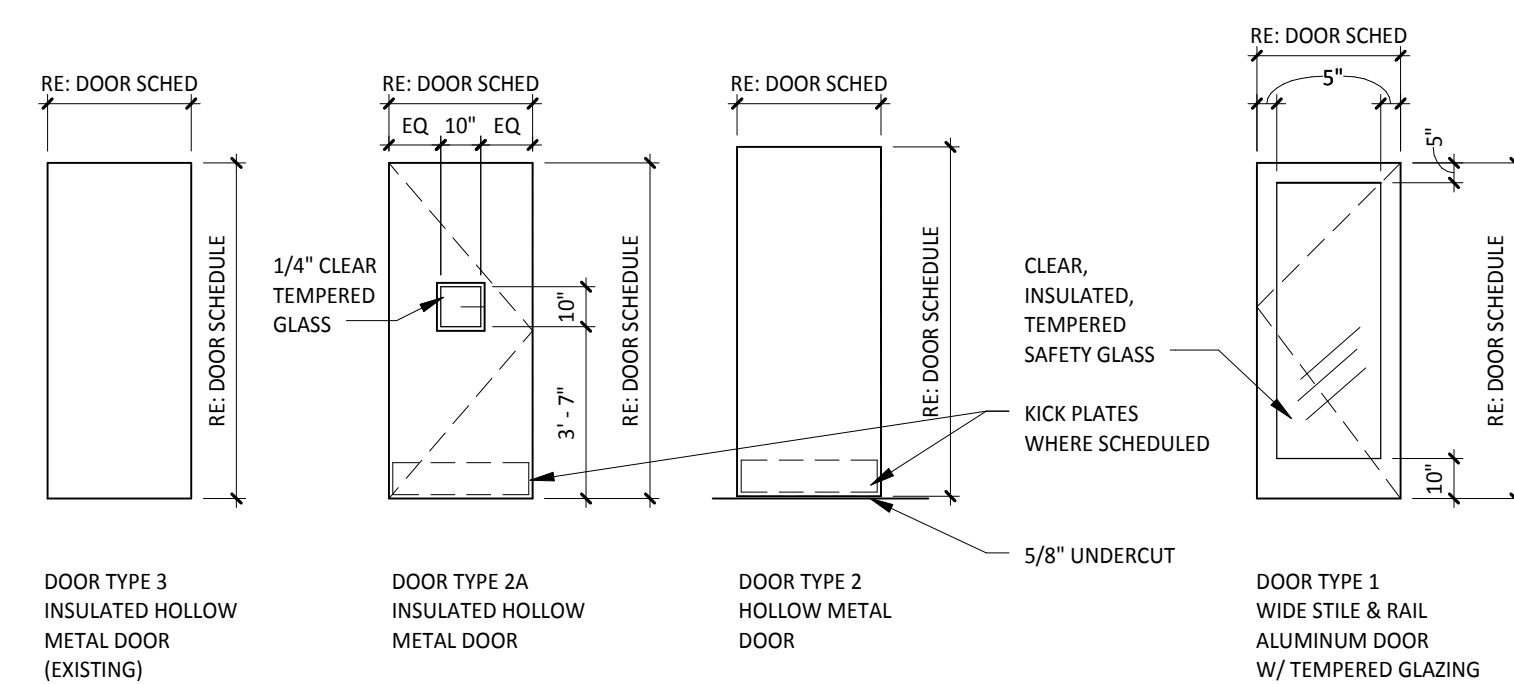
CUSTOM WOOD PULL



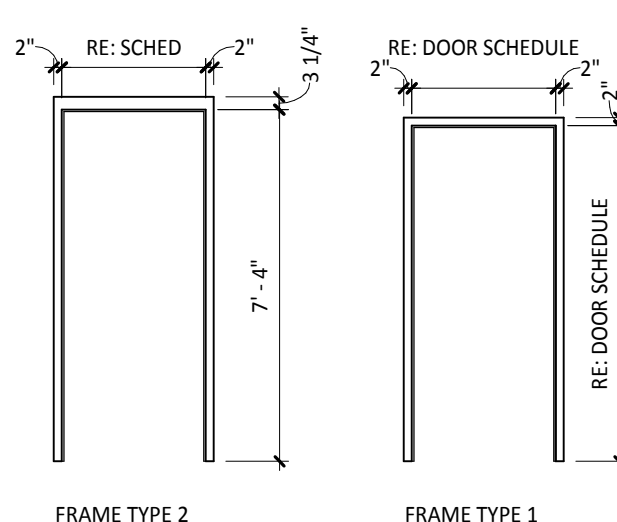
SILL FLASHING



DOOR TYPES



DOOR FRAMES

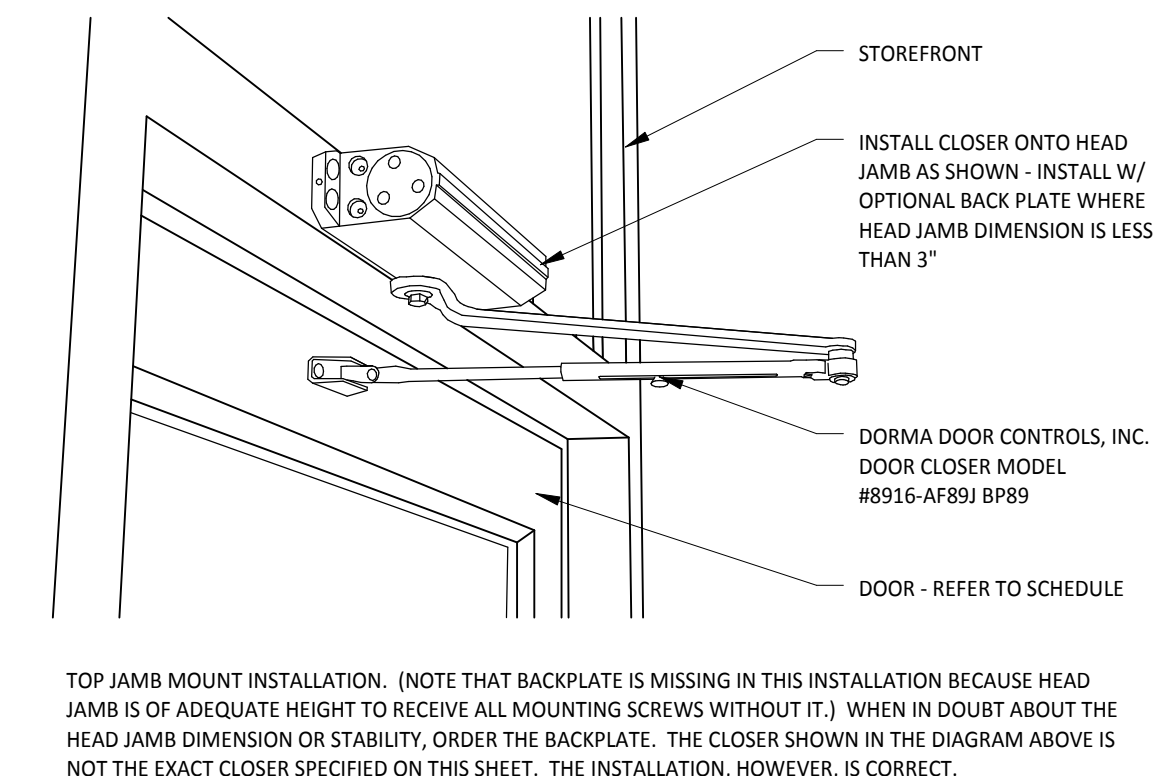


NOTE: GC TO VERIFY THE WALL THICKNESS PRIOR TO ORDERING DOOR FRAMES.

DOOR NOTES

- ALL EGRESS DOORS SHALL BE READILY OPENABLE FROM THE EGRESS SIDE WITHOUT THE USE OF A KEY OR SPECIAL KNOWLEDGE OR EFFORT.
- LATCHES, HANDLES, PANIC BARS AND ALL DOOR HARDWARE WILL COMPLY WITH SECTION 7.2 OF NFPA 101 PER THE SPECIFICATIONS.
- THE MANAGER HAS A KEY TO UNLOCK RESTROOM DOORS, FROM THE OUTSIDE IN CASE OF AN EMERGENCY.
- ALL DOORS TO REMAIN UNLOCKED DURING BUSINESS HOURS.
- SEE THIS SHEET FOR EXTERIOR DOOR SIGNAGE INFO.
- ALL FRAMES, DOORS AND HARDWARE TO BE FURNISHED BY TENANT HARDWARE SUPPLIER AND INSTALLED BY TENANT G.C. CALL PETE KLIMEK WITH TWIN CITY HARDWARE AT 763-535-4660 TO ARRANGE DELIVERY. STOREFRONT DOORS ARE TO BE PROVIDED BY GC, STOREFRONT HARDWARE PROVIDED BY TENANT HARDWARE SUPPLIER.
- MAXIMUM EFFORT TO OPERATE EXTERIOR OR INTERIOR DOORS WITH CLOSERS SHALL NOT EXCEED 5 POUNDS. THIS MAY BE INCREASED TO 15 POUNDS FOR FIRE-RATED DOORS.
- THE BOTTOM 10 INCHES OF ALL DOORS SHALL HAVE A SMOOTH, UNINTERRUPTED SURFACE TO ALLOW THE DOOR TO BE OPENED BY A WHEELCHAIR FOOTREST WITHOUT CREATING A TRAP OR HAZARDOUS CONDITION.
- ALL SUPPORT SIGNAGE PROVIDED BY TENANT'S SUPPORT SIGNAGE SUPPLIER.
- ALL SUPPORT SIGNAGE INSTALLED BY G.C.

DOOR CLOSER



Duane Meyers
500 PR 2422
Lufkin, TX 75904
903.484.4040
dimeyers@mac.com

Aspen Dental/Chipotle
Lufkin, Texas

Revisions
R1 Revisions based on Chipotle Tenant Review Comments



A3.04

2 Nov 2014